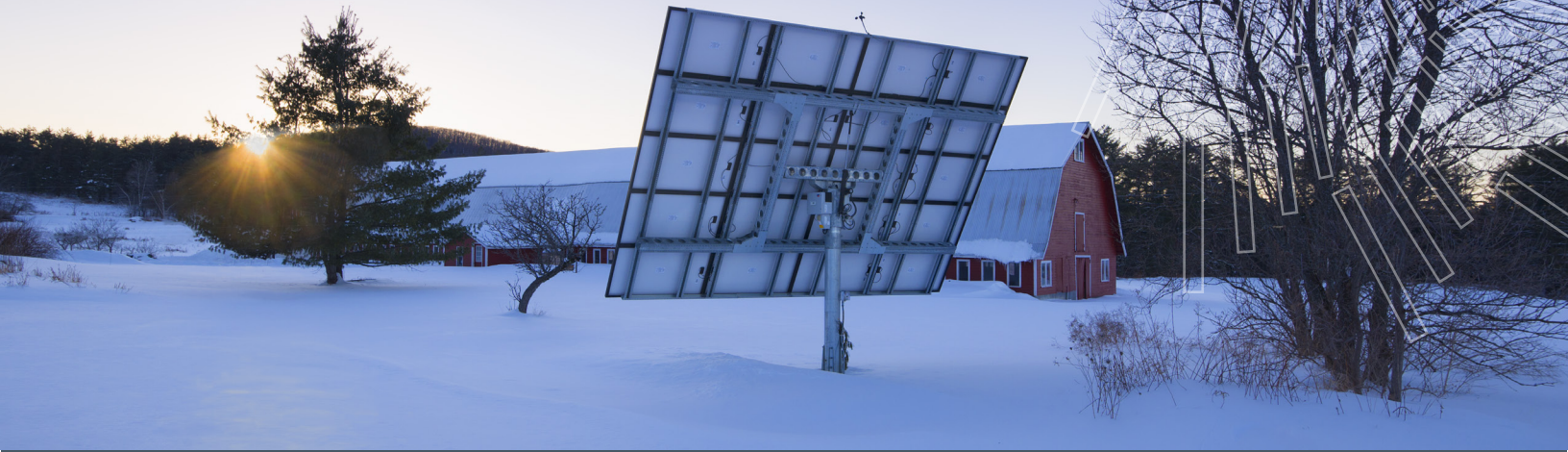


# The AllEarth Solar Tracker

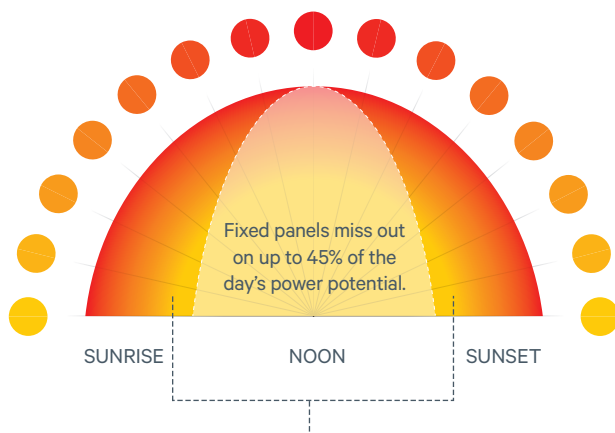
Product information and technical specifications



## Designed, tested and engineered in Vermont.

As the nation's leading solar tracker company with thousands of installations throughout the country, AllEarth Renewables is committed to using our experience to help you grow your business and your profits. Our streamlined product design, delivery and installation will help you complete more jobs, finish jobs faster, and eliminate hassle. From utility-scale solar farms and commercial vineyards to single, residential systems, the AllEarth Solar Tracker is a go-to product for customers looking for a high-end, high-efficiency, American-made solar electric system. The tracker's modular, scalable design can be applied to a variety of settings, allowing you to expand your offerings and leave fewer jobs behind without a sale.

## Our dual-axis trackers follow the sun to produce up to 45% more energy than fixed solar panels.



AllEarth Solar Trackers follow the sun's energy-producing rays throughout the entire day.

### Complete Solution

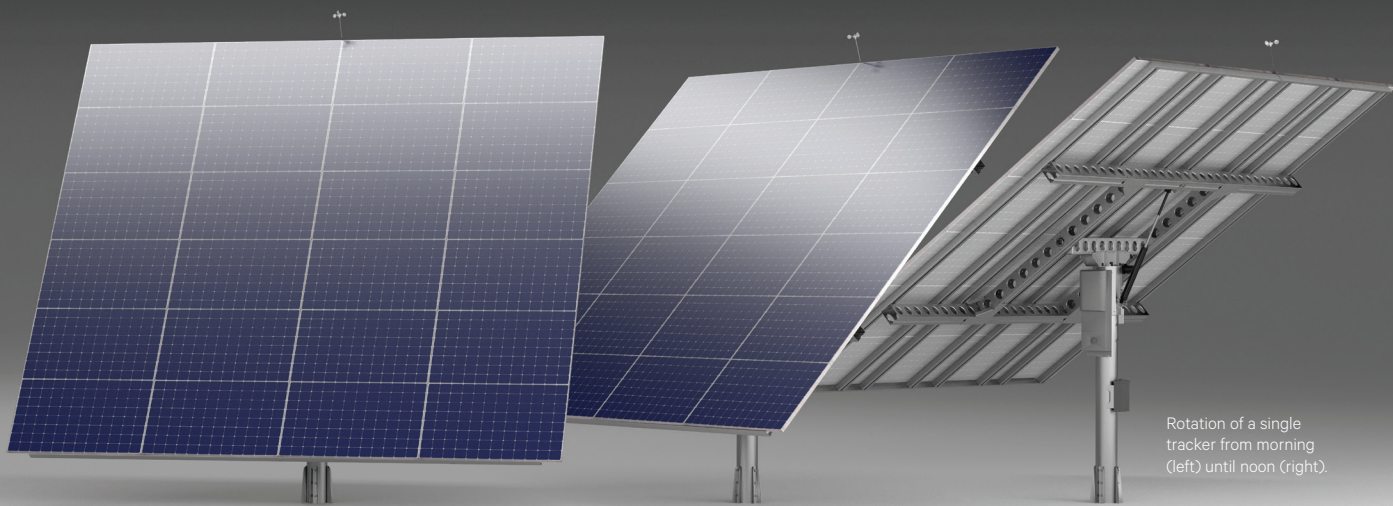
- 360° dual-axis system
- Complete tracker shipped on a single pallet
- Fast, efficient, one-day installation process
- No distributors or middle man
- Ongoing technical support

### Quality & Reliability

- American designed & manufactured
  - Individually tested complete system
  - GPS tracking controls & wireless communication
  - Industry-leading 120 mph wind rating
  - 10 year full system warranty
- Automatic snow shedding

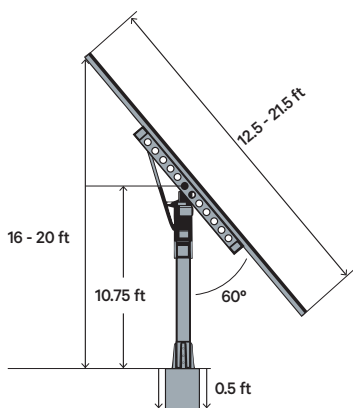
### Smart Design

- Proven, standardized system design
- Modular approach, easily scalable for projects large and small
- Quick and easy 1-day installation and no rooftop hassle
- Hydraulic based for rugged, durable design



Rotation of a single tracker from morning (left) until noon (right).

# Technical specifications.



AllEarth dual-axis solar tracker comparison		
	Series 20 L	Series 24
Number of modules	20	24
Module area	417 ft <sup>2</sup>	423 ft <sup>2</sup>
Maximum height	17 ft	20 ft*
Height when flat	10 ft	11 ft
Width	25.75 ft	215 ft*
Weight (complete system)	2,900 lb	3,100 lb
Minimum clear diameter	31 ft	27 ft
Module configuration	4 x 5 landscape	4 x 6 portrait

\*Depends upon module dimensions

## Unique Features

The AllEarth Solar Tracker is a complete grid-tied, dual-axis solar electric system suitable for both commercial and residential settings. Unlike a rooftop system, the tracker does not require a load-supporting, south-facing roof, which eliminates the risk of roof leak, mold or structural damage. Because the tracker uses GPS technology to follow the sun throughout the day, it also produces up to 45% more energy than fixed systems.

Inverter	Compatible with both string and microinverters
Wind loading	Wind-tunnel tested, stamped to ASCE 7-10 120 mph
Modules supported	Most commercially available 60 cell modules
Structure/materials	Freestanding, mast mounted, galvanized steel components
Motor type	180 watt hydraulic power unit
Yaw drive (azimuth)	Ring/worm gear with hydraulic motor
Tilt (elevation)	Hydraulic cylinder
Yaw range E/W	0 to 360°
Tilt range N/S	0 to 60°
Solar tracking method	GPS, sun calculation based, microprocessor controller
Wind protection	3-cup anemometer sensor, automatic algorithm, stows flat at 30mph

Annual power consumption	<1% of system output
Connection type	Grid-tied only
Communication	Integrated RF radio
Foundation types	Precast concrete, steel riser, helical pile
Nighttime stow	Stows flat at sunset
Module attachment	Innovative high-speed bottom-mount clamping technology; fast and safe; no gaps between modules
Warranty	10 years
Manufacturing location	USA



AllEarth Solar is a division of AllEarth Renewables

AllEarth Renewables | 94 Harvest Lane | Williston, VT 05495 | [allearthrenewables.com](http://allearthrenewables.com)